



SED-900 Handheld V2 & Master Wireless System

**WARNING: PLEASE READ
INSTALLATION INSTRUCTIONS
FIRST**

PRODUCT WARRANTY

This product is covered by a 12 month, **back to base warranty** from date of purchase, and proof of purchase should be supplied. The warranty does not cover damage that has resulted from the improper installation or improper use of this product. The warranty does not cover lightning damage, product misuse, electrical surges or acts of God.

LIMITATION OF LIABILITY

Sec Eng Systems Pty Ltd does not accept any liability for the loss or damage to property or persons in relation to goods supplied. This disclaimer is only limited to the warranty **of the goods supplied and the intended use.**

NOTE: THIS MANUAL IS SUBJECT TO COPYRIGHT

SEC-ENG SYSTEMS SYDNEY AUSTRALIA

**Phone 02-9524 9952
www.seceng.com.au**

READ THIS PLEASE



The dos and don'ts of installing our wireless equipment

1/ Always install the antennas that we supply, OUTSIDE!

2/ Always install our antennas a minimum 3 metre away from each other or any other antennas

3/ If you are installing multiple SED 900 systems in one location, call us, so we can assist you with the best possible installation process

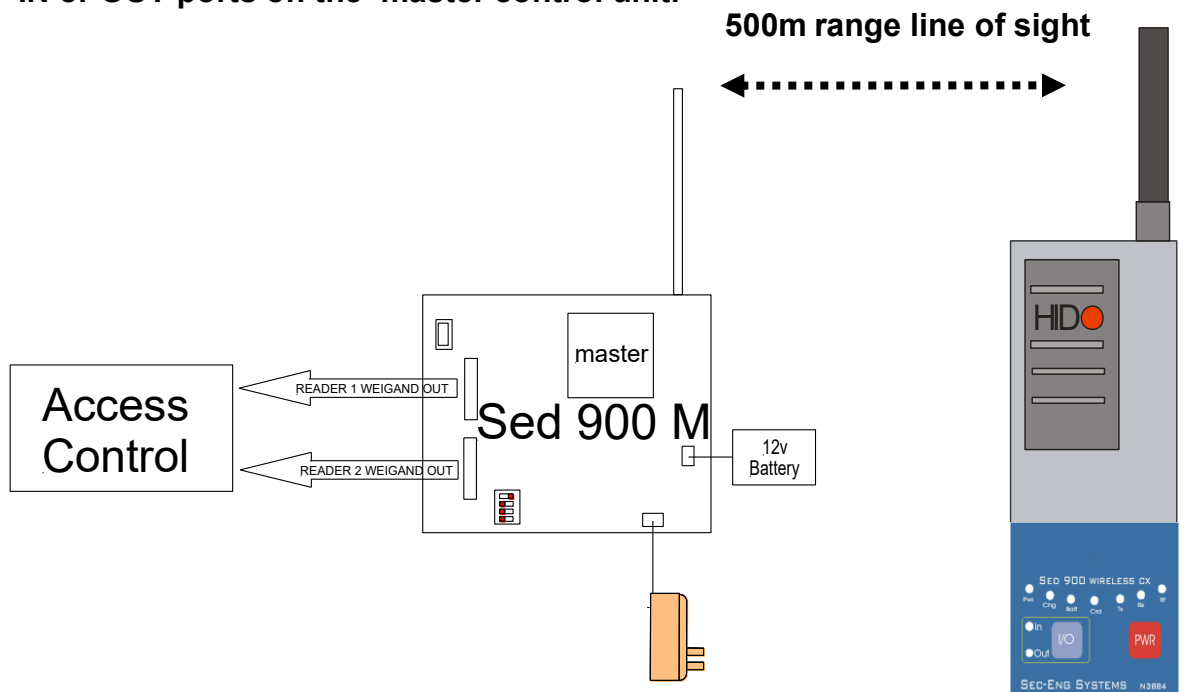
If you fail to do this, you may void your warranty

INSTALLATION START HERE

Wireless System Overview

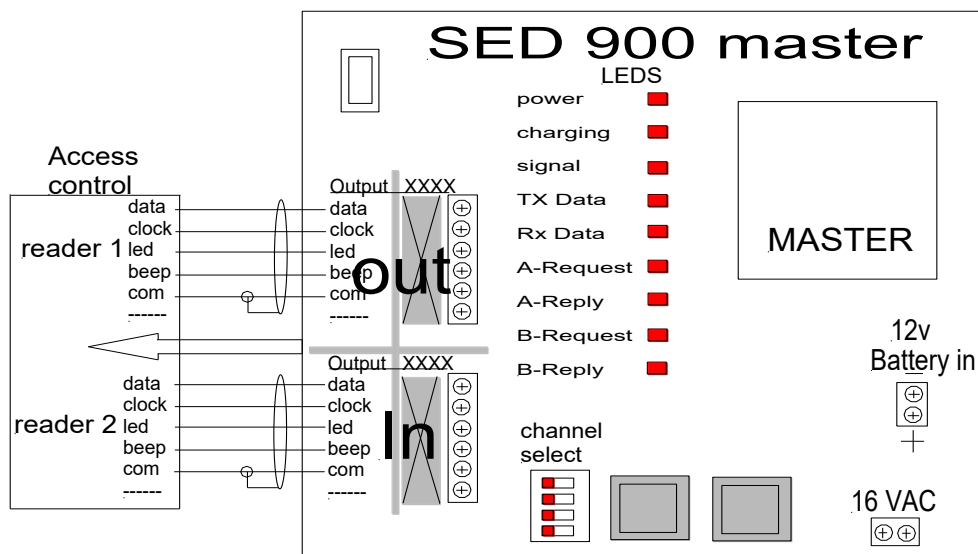
The Sed 900 is designed to allow a wireless reader on a handheld to operate back to a master control station, and provide full wiegand control.

The master control station has 2 wiegand outputs that are selectable from the hand held. This allows the badged card to be directed to the IN or OUT ports on the master control unit.



NOTE: YOU MUST ALWAYS WIRE ALL CABLES SHOWN FROM THE SED 900 TO THE ACCESS CONTROL SYSTEM. IF YOU DON'T, THE WIRELESS UNIT WILL NOT WORK CORRECTLY

CONNECTION GUIDE FOR MASTER SED 900



NOTE: YOU MUST ALWAYS WIRE ALL CABLES SHOWN FROM THE SED 900 TO THE ACCESS CONTROL SYSTEM. IF YOU DON'T THE WIRELESS UNIT WILL NOT WORK CORRECTLY.

CONNECTIONS

AC = 16v ac plug Pac supplied
 12v battery in (back up battery) not supplied
 485 expander + expander boards
 I/O for input output board

Outputs channel A to access control system

- Data to access control DATA / D1 GREEN
- Clock to access control CLOCK D0 WHITE
- Led to access control LED BROWN
- Beep or access control BUZZ or BEEP YELLOW
- Com to access control GND or COMMON BLACK

Outputs channel B to access control system

- Data to access control DATA / D1 GREEN
- Clock to access control CLOCK D0 WHITE
- Led to access control LED BROWN
- Beep or access control BUZZ or BEEP YELLOW
- Com to access control GND or COMMON BLACK

LED INDICATORS

POWER = Power ok to board
 CHARGING = Battery charging
 SIGNAL = ON , Transmitting out
 Tx Data= radio sending data out
 Rx Data= radio receiving data in
 A request = reader on A sending data
 A Reply = reader on A receiving data
 B request = reader on B sending data
 B Reply = reader on B receiving data

HAND HELD POWER UP

Note: If the unit has an external charger fitted it will automatically power up the hand held when connected, and power down when removed

TURNING HAND HELD ON

Press and hold the front power switch down until the out light comes on then let it go

The following leds should appear when on and running

Rf = radio link ok

Pwr led = power on

The following led will come on at times

Lbatt led= low battery

Tx = data to master unit

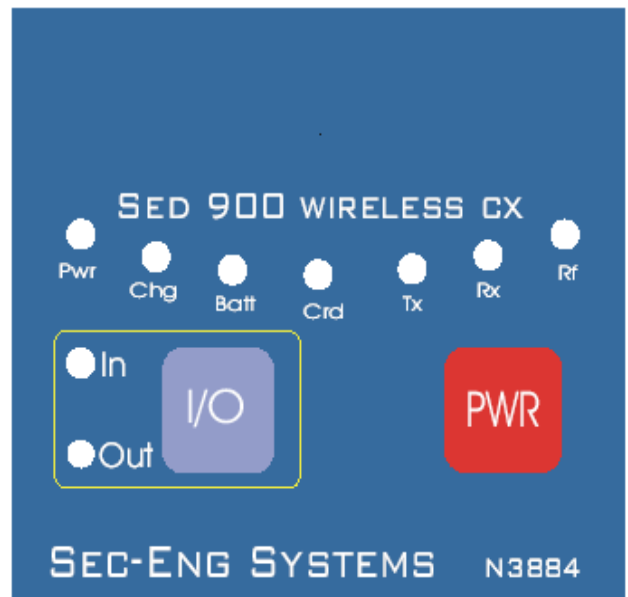
Rx = data from master unit

Chr led = indicated charging modes

On = 5 min batt test

Fast = bulk charge

Wink=charge complete



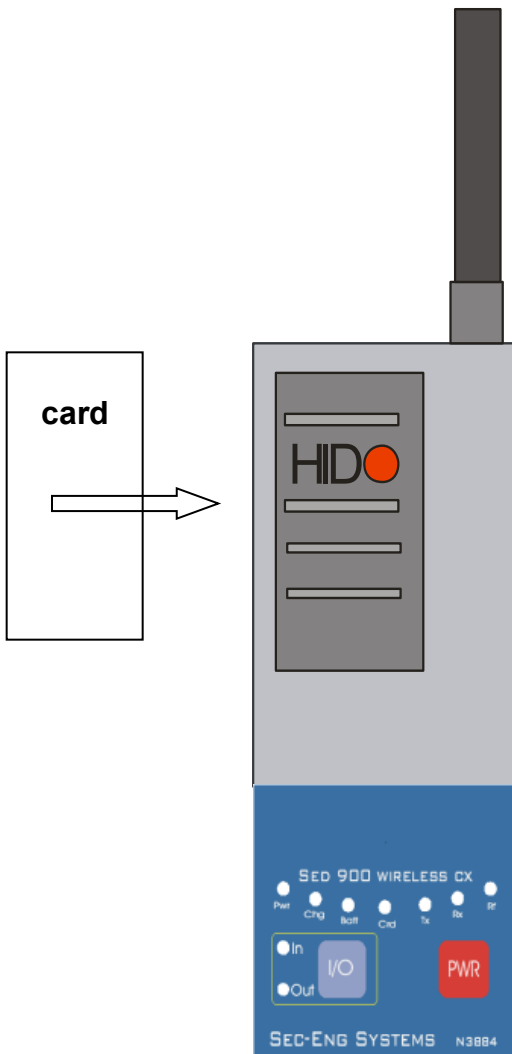
TURNING HAND HELD OFF

Press and hold the front power switch and wait for 2 beeps then let it go

SELECTING IN OR OUT PORT

Press I/O button and the indicator light will change to In or out.

Upon power up it will always power up on the **out port**



Testing unit

1/ Ensure the following leds are on

- Pwr
- Rf ok

2/ Ensure **IN** or **Out** are selected

3/ When a card is presented to reader the following should occur;

Tx and Rx leds will flicker and the reader will beep

Access or Denial is just like a wired reader

NOTE: if you are in a poor signal area or you lose signal during a badged card, the following could occur

The wireless reader will wait 5 seconds for a response from the master controller. If the signal or card transmission is corrupted, the reader will sound continually for 5 seconds.

So, present card again

Radio transmission 915--928Mhz

Power output: 1000Mw

Type: Spread spectrum freq hopping

Security encryption: 56 bit DES

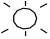
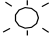
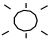
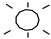
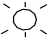
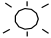
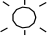
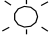
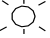
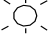
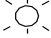
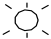
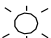
Handheld Battery: NI-MH

10 x AA 2300 Ma

Austel compliance N3884

Sed 900 fault Sequence

To be able to read the fault indication
You must wait for the (chg led) and (Lbatt led)
to flash together 5 times
this will be followed by the Lbatt led
flashing a number of times (1-3) before the
process is repeated.
Please see Lbatt fault indication guide below

Chg led		Lbatt led	
	flash together		
	flash together		
	flash together		
	flash together		
	flash together		
			flash alone once = internal temp error
			flash alone twice = Low Ppac mains
			flash alone three times = Battery error

fault