



SED-30

April 2020, V130

SMS I/O Control Board Installation & User Manual

**WARNING: PLEASE READ
INSTALLATION INSTRUCTIONS
FIRST**

PRODUCT WARRANTY

This product is covered by a 12 month, back to base warranty from date of purchase and proof of purchase should be supplied. The warranty does not cover damage that has resulted from the improper installation or improper use of this product. The warranty does not cover lightning damage, product misuse, electrical surges or acts of God.

LIMITATION OF LIABILITY

Sec-Eng Systems Pty Ltd does not accept any liability for the loss or damage to property or persons in relation to goods supplied. This disclaimer is only limited to the warranty of the goods supplied and the intended use.

NOTE: THIS MANUAL IS SUBJECT TO COPYRIGHT

TABLE OF CONTENTS

Installation

- Overview Diagram p.3
- Sim Card Operation p.4
- Installation and Wiring p.4
- Terminal Connections p.4

LEDs & Fault Guide

- LED Indication p.5
- Fault Guide p.5

Programming Connection

- Via SMS p.6
- Via PC p.6

Programming Functions

- Functions 1 – 33 p.7 – 11

Programming Commands / Inputs

- Input Labels / Alarm Text Messages p.12
- SMS Zone Arm/Disarm Feature p.12
- Key Switch Arm/Disarm Mode p.12
- Input Test and Diagnosis p.12

Programming Commands / Outputs

- Output Control (Relays 1 – 4) p.13
- Output Labels and Status p.13
- Linking Inputs to Outputs p.14

Analog Inputs p.15

I/O Expansion Boards p.16

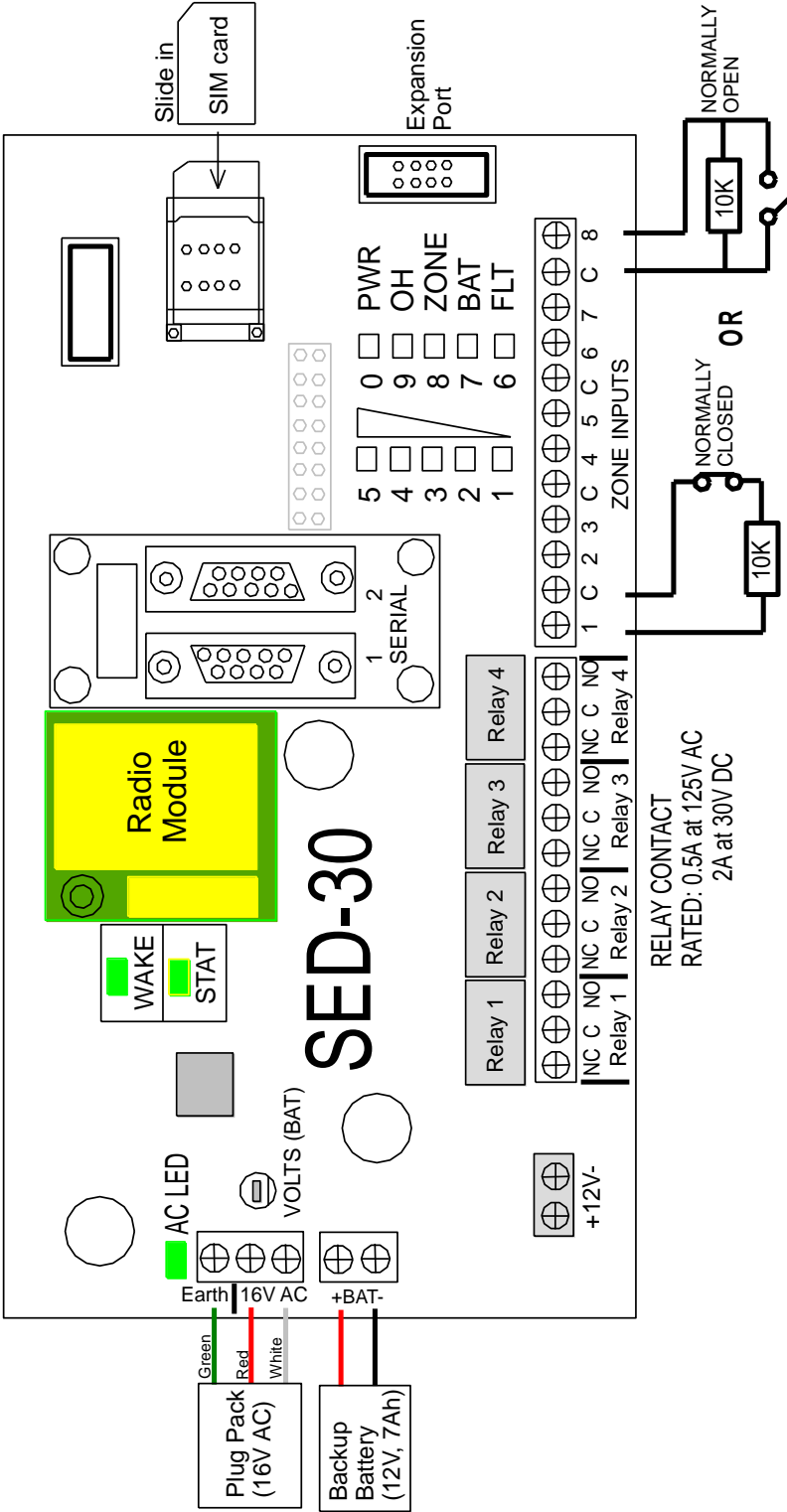
Commands List p.17

Control Room Reporting p.18

Full Function List p.19

Technical Specification p.20

OVERVIEW DIAGRAM



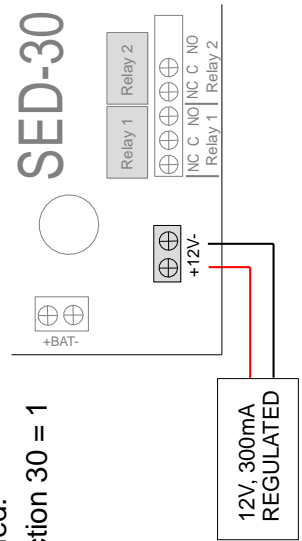
NOTE: BY DEFAULT (FUNCTION 29=3), ALL ZONES MUST HAVE 10K RESISTORS FITTED

RELAY CONTACT
RATED: 0.5A at 125V AC
2A at 30V DC

OPERATING FROM A 12V DC SOURCE

The SED-30 can be powered by a regulated 12V DC supply.

- Do not connect a backup battery as the charging circuit will be disabled.
- Set Function 30 = 1



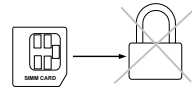
SIM CARD OPERATION

The unit requires a standard size SIM card to operate.

Before fitting into the SED-30 ensure that the SIM is active and not pin locked.

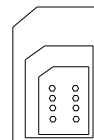
This may require the SIM to be tested in a mobile phone first.

If the SIM PIN request is set, it must be disabled (using a mobile phone) before it can be used in the SED-30.



Warning: Ensure you have the correct PIN number. Entering the wrong PIN will PUK lock the SIM which will then need to be returned to the vendor for reprogramming.

IMPORTANT: It is not recommended to use a multi breakout type SIM. If you do, make sure the center part of the SIM is secure and does not lift off the holder when installed.



INSTALLATION AND WIRING

1. Check the SIM card for operation before inserting into the SED-30.
(Fit SIM card as shown on page 3).
2. Install the antenna supplied.
3. Fit the included 8 x 10K ohm resistors into zone input 1-8
(required on a default system, Function 29=3).
4. Connect supplied AC plug pack:
 - Red and White wires into the “16V AC” terminals (any orientation)
 - Green wire into the “Earth” terminal
5. Fit a backup battery 12V, 7Ah (optional).
6. Power up the system and check the LEDs for system status (see page 5).

When system is ready the P LED should be on constant (not flashing) and LEDs 1-5 indicating the signal strength (minimum 2 bars required). If not see fault guide on page 5.

TERMINAL CONNECTIONS

Power

16V AC	Input from 16V AC plug pack (Red & White)
EARTH	Earth connection from 16V AC plug pack (Green)
+BAT-	Backup battery (12V, 7Ah)
+12V-	12V, 1A output (when powered by plug pack) OR 12V power input for DC source

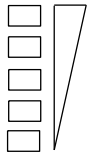
Relays (Rated: 0.5A at 125V AC, 2A at 30V DC)

NC	Normally closed contact
C	Common
NO	Normally open contact

Zone Inputs

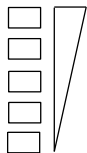
C	Common for zone inputs
1 to 8	10k ohm end of line resistor required (Default set up, Function 29=3)

LED INDICATION

<u>LED Number</u>	<u>Description</u>	<u>SIGNAL</u>	<u>STATUS</u>
1-5	Signal strength	5 <input type="checkbox"/> 	0 <input type="checkbox"/> PWR
6 (FLT)	Fault (see fault guide below)	4 <input type="checkbox"/>	9 <input type="checkbox"/> OH
7 (BAT)	Slow Flash= Battery low/fail Off = Battery OK	3 <input type="checkbox"/>	8 <input type="checkbox"/> ZONE
8 (ZONE)	On = Zone(s) unsealed Off = Zone(s) sealed	2 <input type="checkbox"/>	7 <input type="checkbox"/> BAT
9 (OH)	Flashing = Sending/receiving SMS	1 <input type="checkbox"/>	6 <input type="checkbox"/> FLT
0 (PWR)	On = System ready, Slow Flash = No AC Fast Flash= System initialising		
STAT	Slow Flash = Network registered On or Off= No network registration		
WAKE	On = Modem on Off = Modem off		

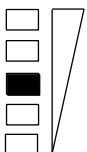
FAULT GUIDE

A fault condition on the SED-30 is indicated when **LED 6 (FLT)** is illuminated. The signal LEDs (1-5) will provide more information on the type of fault being reported.

LED1 ON=Not Applicable	5 <input type="checkbox"/> 	0 <input type="checkbox"/> PWR
LED2 ON=No SIM card	4 <input type="checkbox"/>	9 <input type="checkbox"/> OH
LED3 ON=No GSM signal or registration	3 <input type="checkbox"/>	8 <input type="checkbox"/> ZONE
LED4 ON=Not Applicable	2 <input type="checkbox"/>	7 <input type="checkbox"/> BAT
LED5 ON=Not Applicable	1 <input type="checkbox"/>	6 <input checked="" type="checkbox"/> FLT

FLT(6) + LED 3 indicate the SED-30 cannot connect to the mobile network, check the following:

- SIM card is not PIN locked (test in a phone)
- SIM card is active and enabled for SMS
- SIM card is fitted correctly (If it's a multi breakout type make sure SIM center section hasn't lifted off the holder - test by holding down with finger)
- Antenna is installed correctly
- Good mobile signal is available at location

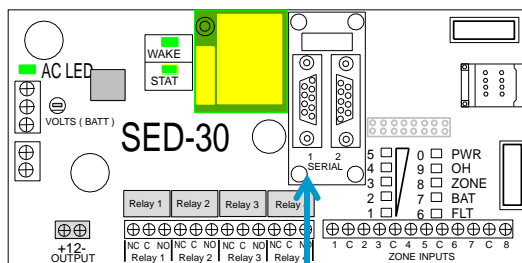
5 <input type="checkbox"/> 	0 <input type="checkbox"/> PWR
4 <input type="checkbox"/>	9 <input type="checkbox"/> OH
3 <input checked="" type="checkbox"/>	8 <input type="checkbox"/> ZONE
2 <input type="checkbox"/>	7 <input type="checkbox"/> BAT
1 <input type="checkbox"/>	6 <input checked="" type="checkbox"/> FLT

Please Note: If the SED-30 cannot connect to the network after a number of attempts it will reboot and reset the LEDs.

For further assistance contact Sec-Eng Systems for technical support.

PROGRAMMING VIA SMS

Send the SED-30 SMS messages with programming commands from a mobile phone. The SMS is sent to the phone number of the sim card installed in the SED-30 (see below on how to program).



PROGRAMMING VIA PC (RS-232)

Connect the SED-30 to a PC or Laptop using the DB9 serial port (labelled 1). A USB-Serial adaptor may be required if the PC does not have a serial port.

Use a terminal software program to connect with the SED-30.

uCon is a free licence program that can be downloaded from the link below:
www.umonfw.com/ucon/

Select the PC assigned com port and use the following connection settings:
Data=8, Parity=None, Stop Bit=1, Flow Control=None, Baud Rate=115200.

Once connected, hit the **Enter** key and you will be prompted with “**Password:**”
 Type **zxcvbnm** (lower case) and then the **Enter** key. You will then see the response “**Level 3 OK**”.

You are now ready to program

HOW TO PROGRAM FROM A PC

With the SED-30 connected to a terminal session and the login password entered, Type **?P** to display the full function list on screen (01-33).

To program any function, simply enter the function number, followed by the value to be set

Example: to program a Function 01 (client code) with 1234, enter:

011234

To review a function, enter only that function number. You can also use **?P** to view the updated function list.

TO DEFAULT THE SED-30 TO FACTORY SETTINGS, enter:

993030

HOW TO PROGRAM WITH SMS

Due to the limited number of characters that can be sent in a SMS, the ?P function list is separated in 4 parts as follows:

- ?p** Reads functions 01 to 10
- ?p1** Reads functions 11 to 26
- ?p2** Reads function 27
- ?p3** Reads functions 28 to 33

Just like with the PC programming method, to set a function send a SMS with that function followed by the value to be set.

Example: to program a Function 01 (client code) with 4321, send:

014321

A single function can be reviewed by sending a SMS with the function number only.



Function 01 - Client code (Monitoring application only)

Sets the account code that the SED-30 will use when the on-board Contact ID dialler is reporting to a monitoring company.

Options:
Any 4 digit number

Example : 019999

Function 0201 - Primary receiver number

Sets the primary phone number that the SED-30 will dial when the on-board Contact ID dialler is reporting to a monitoring company.

Options:
Any phone number up to 18 digits

Example : 02011234567

Function 0202 - Secondary receiver number

Sets the 2nd phone number that the SED-30 will dial when its on-board Contact ID dialler is reporting to a monitoring company.

Options:
Any phone number up to 18 digits

Example : 02021234567

Function 0203 - Third receiver number

Sets the 3rd phone number that the SED-30 will dial when its on-board Contact ID dialler is reporting to a monitoring company.

Options:
Any phone number up to 18 digits

Example : 02031234567

Function 04 – Dialer test time interval

Default = 24 (Daily)

Sets the time window between the SED-30 test reports (sector 253). The time is in hourly intervals.

Options:
From 0 to 168 Hours

Example : 0424
(to make a test call every 24 hours)

0 = No test call reports
24 = Test call every day
168 = Test call once a week

Function 10 - Ademco event codes

Default = 0

Sets the starting number for the SED-30 on-board dialler reporting codes. In most cases reporting codes 250 and above are OK to use as the alarm panel does not need this many codes but in larger systems where code 250 is in use, the report codes for the SED-30 can be changed to 450 and above. Refer to page 18.

Options:
0 = Starting at 250
1 = Starting at 450
2 = Standard Event Codes

Example : 101

Functions 01 and 02 are only to be set if the system is reporting to monitoring company. For SMS Reporting see Function 12.

To delete a phone number stored in Function 02 replace with **0000** (four zeros)



SMS ?P to view Functions 1-10

Function 1201 - Mobile phone 1

Example : 1201**0406991991**

Any phone number up to 18 digits

The SED-30 can report events via SMS to 8 mobile phones.

Note: We only recommend this option for non-critical alarms or secondary monitoring purposes.

Enter the number of the first mobile phone to report to.
If left empty, Mobile Phone Reporting is disabled.

Example: To set the phone number set in function 12, field 01 to 5555 SMS the command 1201**5555**

To delete a phone number stored in Function 12 replace with **0000** (four zeros)

Function 1202 - Mobile phone 2

Example : 1202**0406991992**

Any phone number up to 18 digits

Function 1203 - Mobile phone 3

Example : 1203**0406991993**

Any phone number up to 18 digits

Function 1204 - Mobile phone 4

Example : 1204**0406991994**

Any phone number up to 18 digits

Function 1205 - Mobile phone 5

Example : 1205**0406991995**

Any phone number up to 18 digits

Function 1206 - Mobile phone 6

Example : 1206**0406991996**

Any phone number up to 18 digits

Function 1207 - Mobile phone 7

Example : 1207**0406991997**

Any phone number up to 18 digits

Function 1208 - Mobile phone 8

Example : 1208**0406991998**

Any phone number up to 18 digits



SMS **?P1** to view Functions 11-26

Function 15 - SMS System reporting

Default = 0

This function determines what SMS system reports are sent by the SED-30. Including AC Fail, Low Battery, GSM Test and Fail to Communicate.

Options:

- 0 = Disable SMS reporting
- 1 = Enable Option 1
- 2 = Enable Option 2

Example : 151

(SMS system reporting enabled)

Option 1 = Sends all system messages to mobiles
 Option 2 = Sends all system messages except GSM Test

Function 16 - SMS Zone reporting

Default = 0

With this function enabled the SED-30 will generate a SMS message when zones 1- 8 are triggered and restored. See page 12 for changing the text of the SMS message.

Options:

- 0 = Disabled
- 1 = Enabled

Example : 161

(SMS zone reporting enabled)

Function 17 - Zone Input configuration

Default = 0

Sets the operation of the 8 Zone Inputs on the SED-30.

- Option 0 = Zones 1-8 24 Hour inputs
- Option 1 = Zones (Arm/Disarm via SMS)
- Option 2 = Zone 8 to operate as a key switch input for Arm/Disarm.

Short zone 8 for 1 second pulses to change state. EOL 10K resistor must be fitted across the zone.

Options:

- 0 = Option 0
- 1 = Option 1
- 2 = Option 2

Example : 171

(Zones set as 24hr input)

Function 18 - SMS Zone Arming Confirmation

Default = 0

Enables arm/disarm confirmation SMS message of Zones 1- 8 (Function 17 = 1) See page 12 for more details.

Options:

- 0 = Disabled
- 1 = Enabled

Example : 181

(SMS Confirmation Enabled)

Function 19 - Master Code

Default = 0000 (Disabled)

To restrict access to the SED-30 programming, enter a 4 digit PIN number here. This master code will then be required whenever the user wants to view or change any of the settings via SMS.

Options:

Any 4 digit number

Example : 192222

(Sets Master Code to 2222)

To enter programming mode after a Master Code has been set you must enter the master code first (**19code**) which will allow you into programming mode for 5 minutes.

Example cont. : SMS 191234 (Will allow programming mode for 5 minutes)



SMS **?P1** to view Functions 11-26

SMS **?P2** to view Function 27

SMS **?P3** to view Functions 28-33

Function 26 – Mobile Restricted Access

Default = 0

This sets the SED-30 to only respond to phone numbers that have been programmed in function 12. All other phone numbers will be ignored.

Options:

- 0 = No restricted access
- 1 = Restricted access

Function 270n - SMS Zone Grouping

Default = report all mobiles 12345678

This determines what zone number will report to which mobile number in Function 12

Example : 2701**12345678**

To set the zones that you require in a message as shown:

Example 1: program 2701**123** This sets Zone 1 to report to mobile **1, 2 & 3.**

Example 2: program 2705**1** This sets Zone 5 to report to mobile **1** only.

Function 2701 - SMS Zone 1 grouping to mobile

Default report all mobiles 12345678

Function 2702 - SMS Zone 2 grouping to mobile

Default report all mobiles 12345678

Function 2703 - SMS Zone 3 grouping to mobile

Default report all mobiles 12345678

Function 2704 - SMS Zone 4 grouping to mobile

Default report all mobiles 12345678

Function 2705 - SMS Zone 5 grouping to mobile

Default report all mobiles 12345678

Function 2706 - SMS Zone 6 grouping to mobile

Default report all mobiles 12345678

Function 2707 - SMS Zone 7 grouping to mobile

Default report all mobiles 12345678

Function 2708 - SMS Zone 8 grouping to mobile

Default report all mobiles 12345678

Function 29 – Input Type Global

Default = 3

The SED-30 is based on traditional alarm inputs using end of line resistors. This can be changed on a global basis or individually – **See Function 33.**

Options:

- 0 = Analog
- 1 = Normally Closed
- 2 = Normally Open
- 3 = 10k Normally Closed

Function 30 – External DC

Default=0

This enables the unit to operate on external DC supply. It disables the AC input and backup battery monitoring. The 12V DC regulated supply is connected using the battery terminal.

Options:

- 0 = Normal operation
- 1 = Operate on DC

Function 32 – Input delay (all zones)

Default = 0

This provides an alarm delay time for zone inputs 1-8.

Options:

- 0 = disabled
- 1-120 seconds

When set and an input is triggered, an alarm will only be generated once the set time has expired.

Should the input status change before the delay time has expired, the timer count will reset.

NOTE: This function applies to all 8 zones

Function 33– Input Type Individual

Default = 3

This allows the input type for zones 1- 8 to be set individually

Function 3301 - Zone 1 input type

Default = 3

Function 3302 - Zone 2 input type

Default = 3

Function 3303 - Zone 3 input type

Default = 3

Function 3304 - Zone 4 input type

Default = 3

Function 3305 - Zone 5 input type

Default = 3

Function 3306 - Zone 6 input type

Default = 3

Function 3307 - Zone 7 input type

Default = 3

Function 3308 - Zone 8 input type

Default = 3

Options:

0 = Analog

1 = Normally Closed

2 = Normally Open

3 = 10k Normally Closed

INPUT LABELS - ALARM TEXT MESSAGES

The text included in the SMS message sent when an input zone is triggered and reset can be customised by the user.

The default message will show:

“Zone **XX** Alarm”

“Zone **XX** Restore”

Note: **XX** is the zone number (i.e. 01, 02, 03)

To change the text use the following commands:

FORMAT FOR ALARM: **INA**XX**cccc**

FORMAT FOR RESTORE: **INR**XX**cccc**

Note: **cccc** is the message text
(up to 60 characters is allowed)

Example: **INA01Rear Door Opened, INR01Rear Door Closed**

Zone 1 trigger will send “Rear Door Opened” and a reset will send “Rear Door Closed” .

?inXX**** will show the text set for the 4 zones, starting with zone **XX** (i.e. ?in01)

To restore to default, type **INA01** for alarm on zone 01 and **INR01** for restore on zone 01.

SMS ZONE ARM/DISARM FEATURE

The SED-30 input zones can be armed and disarmed with a SMS message.

This command will arm/disarm all zone inputs.

?ON Arms all 8 zones

?OFF Disarms all 8 zones

SMS commands must be typed as shown. (MUST BE IN UPPER CASE)

Important: Functions 16,17 & 18 must be set to **option 1** and with mobile phone numbers set in function 12 if necessary.

KEY SWITCH ARM /DISARM MODE (Zone 8 only)

When **option 2** is selected for function 17, zone 8 will operate as a arm/disarm key switch input.

A 10K resistor (EOL) must be fitted across the zone with short circuit pulses used to change the arm/disarm state.

INPUT TEST AND DIAGNOSIS (Digital Inputs)

The command **!in** will test and report if the zone inputs (1-8) are sealed or unsealed.

Values reported:

0 Short circuit (in alarm)

490 to 520 Sealed with 10K resistance (not in alarm)

980 to 1020 Open circuit (in alarm)

LINKING INPUTS TO OUTPUTS

This allows for the inputs to be linked with the outputs on the SED-30.

When an input is triggered it can turn on an output which will remain in on until the input is either restored or a set timer period expires,

Multiple inputs can be linked to a single output using the following commands.

iXXoY Link input **XX** to output **Y** - Restore output when input is sealed
iXXoYtZ Link input **XX** to output **Y** - Restore output a **Z** time

Note: The character 'o' is for output, not the decimal '0' (zero).

Examples:

To link input 1 to relay 1	i01o1
To link input 1 & 3 to relay 2	i0103o2
To link input 2 to relay 2 but for 10 minutes	i02o2t10m
To link input 3 to relay 4 but for 20 seconds	i04o4t20s
To clear linking for output 1	i00o1

?i will show the current linking status set on the unit.

ANALOG INPUT SETUP – For water level monitoring

The analog input feature on the SED-30 is designed for water tank level reporting and is compatible with sensors that output 4-20mA or 0-5V.

To set up follow the steps below:

1. Set Function 29 to 0 to make all inputs analog. Or use Function 33 to set them individually.
2. Wire the output signal from the sensor to an input on the SED-30. If using 4-20mA sensor, fit a 270ohm resistor in parallel with that input (between the input and common terminal) to generate a 0-5V signal.

3. Calibrate the sensor by entering the raw input reading for 0% and 100% levels.

ANxMINz x=input z=raw input value with water level at minimum (0%)

ANxMAXz x=input z=raw input value with water level at maximum (100%)

To determine these values (z), do a physical test with the water level at 0% and 100%
Use the command **!IN** to read the current raw value for the inputs.

4. Set the value which is represented by the 100% level (i.e. for a 200L tank, set w to 200)

ANxTOPw x=input w=value up to 65000

5. Set the low and high alarm levels (in percentage)

ANxLOy x=input y=level (in %) for low alarm

ANxHIy x=input y=level (in %) for high alarm

- To disable low level alarms, set ANxLOy to 0%

- To disable high level alarms, set ANxHIy to over 100% (A maximum of 230% can be set)

6. Set auto reporting interval (SMS) - Optional

ANREPxhymz x=hours y=minutes z=seconds (Note: h & m must be lower case)

- To disable interval reporting, set time to 0:00:00 (default)

Use the command **?AN** to check the current settings:

01 : 120-920 , 20-80% , 200 , 0 , 0 , 0:00:00

(input) : (Min-Max values) , (Low-High alarm) , (value for 100%) , (Decimal value) , (Current loop resistance) (auto reporting hrs:min:sec)

Note: for this configurations the Decimal value and Current loop resistance parameters do not need to be changed (leave as 0 and 0).

Use the command **?ANREP** to check the current input readings:

1 : 48% , 96 , OK

(input) : (current reading in %) , (current reading in relation to max value) , (input status OK/Alarm)

7. For SMS Reporting, Functions 12, 15, 16 and the Alarm text (page 12) must also be set.

8. To include the input value readings in the alarm SMS reported, use the following commands:

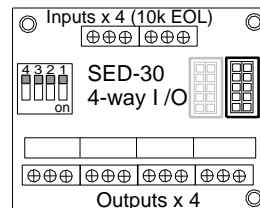
ANxON To enable value reporting for input x in the alarm SMS

ANxOFF To disable value reporting for input x in the alarm SMS

INPUT & OUTPUT EXPANSION BOARD (Optional)

This board allows for an additional 4 inputs and 4 outputs to operate via the SED-30.

A maximum of four I/O boards can be connected to a single SED-30 giving a total of 24 inputs and 20 outputs.

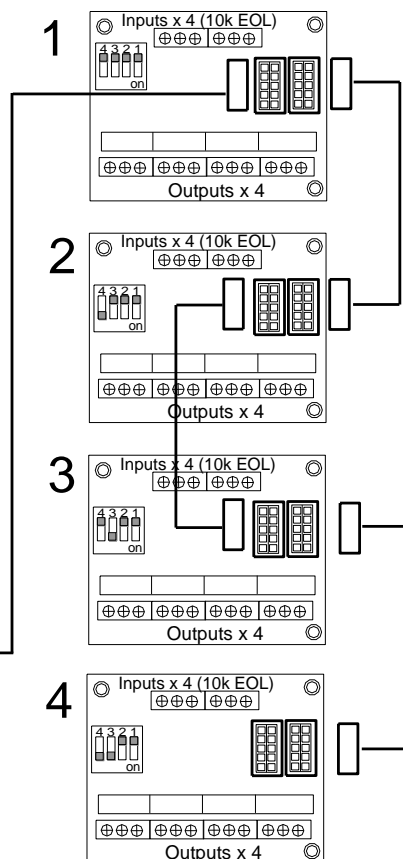
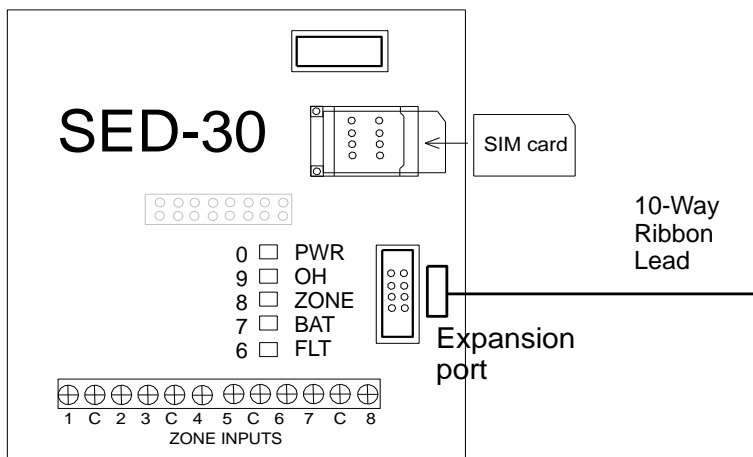


Part: SED-4 WAY I/O

INSTALLATION PROCESS

1. Power down the SED-30
2. Fit the I/O board(s) as shown
3. Fit 10k resistors on the inputs (EOL or see Fun 29)
4. Set the Dip switches for the I/O board(s)

I/O Board 1	ALL OFF
I/O Board 2	4 ON
I/O Board 3	3 ON
I/O Board 4	3 & 4 ON
5. Power up the SED-30



The extra input zones will be labeled 9-24 (see page 18 for CID allocation).

- | | |
|-------------|------------|
| I/O Board 1 | Zone 9-12 |
| I/O Board 2 | Zone 13-16 |
| I/O Board 3 | Zone 17-20 |
| I/O Board 4 | Zone 21-24 |

The extra relays will be labeled 5-20 and are controlled using the same commands as the first 4 relays (see page 13).

- | | |
|-------------|--------------|
| I/O Board 1 | Output 5-8 |
| I/O Board 2 | Output 9-12 |
| I/O Board 3 | Output 13-16 |
| I/O Board 4 | Output 17-20 |

LIST OF COMMANDS

SERIAL AND SMS COMMANDS

- ?s Shows system status information (***Master Cmd**)
- ?p Shows programmed functions
Serial - ?p shows all functions
SMS - ?p (fun 1-10), ?p1 (fun 11-26), ?p2 (fun 27), ?p3 (fun 28-33)
- ?t To generate a GSM test report. (via dialer and SMS)
- ?h Shows the unit status history (of last 20 events)
- ?is Indicates the input status
- ?out Indicates status and labels of output relays.
- lin Shows raw input values
- ?isn Indicates input status with input names
- ?inxx Shows the text label for inputs, 4 inputs displayed at a time starting with input xx
- inaXTEXT Sets alarm TEXT for input X (01 to 08)
- inrXTEXT Sets restore TEXT for input X (01 to 08)
- ?i Show input-output links
- iXoY input X (01 to 08) linked to output Y (1 to 4)
- iXoYtTIME input X linked to output Y pulse time
- outYonTIME output Y on for optional TIME
- outYoffTIME output Y off for optional TIME
- SmsFast x Set the SMS sending rate x (0=slow, 1=fast)
- ?acdly View the AC fail report delay time
- Acdly x Set the AC fail report delay time to x (in seconds)
- ?anrep Reports the current reading for all analog inputs (***Master Cmd**)
- ?an Reports the current settings for all analog inputs
- ANxDECd Display the value of input x (analog) as a decimal (d= number of decimal places)
- ANxRESr Resistor value (r) for current loop across input x (analog), 0 for voltage input otherwise 220-560 Ohm

SERIAL ONLY COMMANDS

- version Software version (date & time)
- load Load new software
- pwd Re-enter password
- help Shows supported commands
- 993030 To default the SED-30 (*Master Cmd)**

* Master Cmd refers to commands the system will always respond to even if a Master Code (Fun. 19) has been set. Other commands will require the system to be unlocked first.

SED-30 Dialler Ademco Codes			
<u>ALARM EVENT</u>	<u>FUNCTION 10 = 0</u>	<u>FUNCTION 10 = 1</u>	<u>FUNCTION 10 = 2</u>
AC power fail (1hr delay)	140 Sector 250	140 Sector 450	301 Sector 000
Low battery (Less than 10.7v or no battery)	140 Sector 251	140 Sector 451	311 Sector 000
GSM test	140 Sector 253	140 Sector 453	602 Sector 000
Zone Input 1	140 Sector 254	140 Sector 454	140 Sector 001
Zone Input 2	140 Sector 255	140 Sector 455	140 Sector 002
Zone Input 3	140 Sector 256	140 Sector 456	140 Sector 003
Zone Input 4	140 Sector 257	140 Sector 457	140 Sector 004
Zone Input 5	140 Sector 258	140 Sector 458	140 Sector 005
Zone Input 6	140 Sector 259	140 Sector 459	140 Sector 006
Zone Input 7	140 Sector 260	140 Sector 460	140 Sector 007
Zone Input 8	140 Sector 261	140 Sector 461	140 Sector 008
Zone Input 9 (Expander 1)	140 Sector 262	140 sector 462	140 Sector 009
Zone Input 10 (Expander 1)	140 Sector 263	140 sector 463	140 Sector 010
Zone Input 11 (Expander 1)	140 Sector 264	140 sector 464	140 Sector 011
Zone Input 12 (Expander 1)	140 Sector 265	140 sector 465	140 Sector 012
Zone Input 13-16 (Expander 2)	140 Sector 266-269	140 Sector 466-269	140 Sector 013-016
Zone Input 17-20 (Expander 3)	140 Sector 270-273	140 Sector 470-473	140 Sector 017-020
Zone Input 21-24 (Expander 4)	140 Sector 274-277	140 Sector 474-477	140 Sector 021-024
Note: Restores are also sent for each code			

SED-30 FULL FUNCTION LIST	
<u>FUNCTION</u>	<u>DISCRIPTION</u>
01	Client Code
02	Receiver Numbers
04	Test Report Time
10	Ademco Event Codes
11	Software Version (Read Only)
12	SMS Phone Numbers
15	SMS System reporting
16	SMS Zone Reporting
17	Zone Input Configuration
18	SMS Arming Confirmation
19	Master Code
26	Mobile Restricted Access
27	SMS Zone Grouping
28	SMS Server
29	Input Type – Global
30	External DC power
31	Ascom Mode
32	Input Trigger Delay
33	Input Type – Individual
34	Re-register Attempts

Technical Specifications

Dimensions:	235 x 250 x 80mm (Housing)
SIM Required:	MINI size, Voice and SMS enabled
Power Pack Input	230-240VAC
Power Pack Output:	16V AC 1.5A
External Power Supply	12V or 24V DC
Current draw	200mA, 12V DC
Output Relay rating:	0.5A at 125V AC, 2A at 30V DC
Antenna connector:	TNC Female
Antenna supplied:	3dBi Omni directional
Modem:	UBLOX Lisa-U200
Network Connectivity:	Penta-Band GSM & 3G 800/850/900/1700/1900/2100MHz

Certification

PTCRB, GCF, R&TTE & CE (Europe), FCC (US), IC (Canada), Giteki (Japan), A-tick & RCM (Australia), IDA (Singapore), Anatel (Brazil), NCC (Taiwan), CCC (China), KCC (S. Korea), AT&T (USA), DoCoMo, Softbank (Japan), Telstra (Australia), Vodafone (All Vodafone networks), Telecom NZ, Rogers, Bell Mobility, Telus (Canada), SKT (S. Korea), ICASA (S. Africa), AT&T (US).



Certified

TECHNICAL SUPPORT

Contact Sec-Eng Systems for technical support

Phone 02-9524 9952

Mon – Fri 9.00AM to 5.00PM AEST

WWW.SECENG.COM.AU