

SED-902 Remote-Master

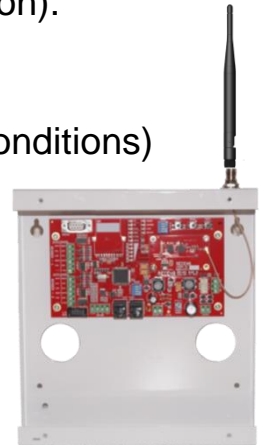
Wireless Card Reader Access Control



Answering the growing industry needs for remote access control, the SED-902 is the latest generation of wireless access control products by Sec-Eng Systems. This system is ideal for difficult installations, where cabling is not possible or cost effective.

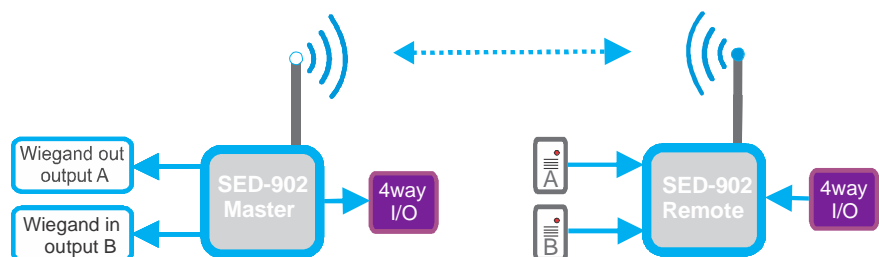
The Remote-Master system provides the ability for card readers to send data to the client's access control system in real time via a wireless ISM LoRa radio link at a distance of up to 500m (subject to RF conditions at location).

- Supports Wiegand and Gallagher access control systems
- Up to 500m operational line of sight range (subject to RF conditions)
- Expandable system to support up to 10 Remote devices
- Dual reader channels (for site entry & exit)
- 4 x inputs & outputs for door sensing and control
- Battery backed system



Applications:

- Boom Gates
- Doors
- Vehicles
- Forklifts
- Lifts
- Gates



SEC-ENG
SYSTEMS

HID

GALLAGHER

SED-902 Remote-Master

Wireless Card Reader Access Control

FEATURES

OPERATION

The SED-902 Remote-Master is a real time wireless link for access control systems. It provides the ability for 2 card readers to operate remotely with the client's access control system. The point to point radio system has an operational line of sight range of up to 500m, which can be further extended with the optional high gain antennas. Range is subject to RF conditions at location.

With the card readers wired into the Remote unit, the card data is sent over an encrypted, low power, 915MHz radio link to the Master base, which then passes the data via a wired connection into the access control system.

INPUT & OUTPUT CONTROL

The SED-902 system provides 2-way input and output control from both the Remote and Master system ends, to be used for gate/door control. 4 inputs and 4 outputs are available on each Master and Remote unit.

SYSTEM EXPANSION

The system can be expanded to allow for multiple Remote units to operate within the same radio radius. Up to 10 Expanders can be added to a Master or Remote unit.

SUPPORTED PROTOCOLS

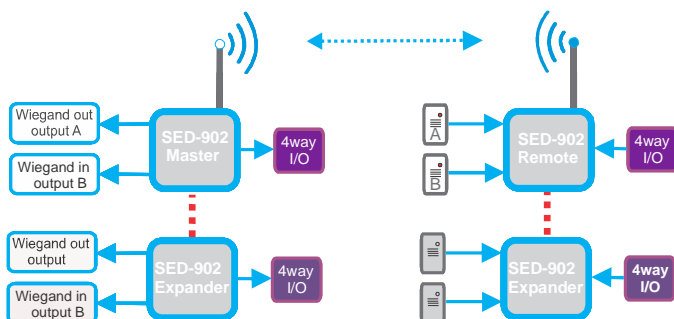
The SED-902 series will support most Wiegand readers with up to 240bits. It also supports Gallagher/Cardax/Mifare readers through the Cardax-IV interface.

POWER AND BATTERY

The Master and Remote can be powered by the included 16V AC plug packs or an external 12V or 24V DC source. Both units can also run a 12V backup battery (not included) when powered by the AC plug pack or 24V DC.

LEDS AND BUZZER

The card readers fitted to the Remote unit will have full functionality of its LED indicator and buzzer, just like a wired reader. The Remote and Master units themselves do feature a number of LEDs to indicate the status of radio link, signal level, battery charging and data transfer.



TECHNICAL SPECIFICATIONS

RADIO SPECIFICATIONS

Frequency Operational: 915MHz to 928MHz
Transmit Power: 100mW
Security Encryption: 128bit AES key coded

ACCESS PROTOCOL SUPPORTED

Wiegand: 240bit (up to)
Gallagher: Cardax-IV (4R & 8R)
(HBUS not supported)

4-Way I/O Card

Output Relay Rating 2A at 30VDC
0.5A at 125VAC
Input State Normal Open

SED-902 MASTER

Power Pack Input: 230V-240VAC
Power Pack Output: 16V AC 1.5A
External Power Supply: 12V or 24V DC 2.5A
Backup Battery: 12V 7Ahr gel cell
(Not included)

Antenna Connection: SMA Female
Antenna Type: External 3dB Omni
(High Gain Optional)

Dimensions: 235 x 250 x 80mm
(Metal Cabinet)

SED-902 REMOTE

Power Pack Input: 230V-240VAC
Power Pack Output: 16VAC 1.5A
External Power Supply: 12V or 24V DC 2.5A
Backup Battery: 12V 7Ahr gel cell
(Not included)

Antenna Connection: SMA Female
Antenna Type: External 3dB Omni
(High Gain Optional)

Dimensions: 235 x 250 x 80mm
(Metal Cabinet)

SED-902 EXPANDER

Power Input: Supplied by SED-902 Master via RS485 link
Antenna connection: Not applicable
Dimensions: 235 x 250 x 80mm
(Metal Cabinet)